

Every pump tested in water to ensure pump meets performance curve.



### FEATURES/BENEFITS

#### PERFORMANCE

Heads up to 37' TDH  
Flows up to 72 GPM

#### MOTOR

High efficient, 115v, oil filled, permanent split capacitor motor with upper and lower ball bearings and thermal overload protection

- Constant bearing lubrication
- Maximum motor cooling
- Runs cooler and lasts longer
- Internal overload protection
- Quiet operation
- Fasteners and shaft made from rugged, corrosion resistant stainless steel

#### SEAL DESIGN

Mechanical with secondary dynamic lip seal

- Provides added leakage protection

#### IMPELLER DESIGN

Non-clog style vortex impeller

- Designed to help reduce clogging by foreign material

#### POWER CORD

Sealed entry quick disconnect power cords

- Prevents water from entering the motor housing through a cut cord
- Easy to replace in the field
- Available in lengths up to 100'

#### SWITCH

Piggy-back switch design

- Defective switches can be diagnosed over the phone
- Pump can be operated manually or supplied with other piggy-back switches
- Switch can be replaced without having to replace the pump

### APPLICATIONS

Basements, dewatering, septic systems, residential and commercial developments and elevator pits



Wide-Angle Float



Vertical Float

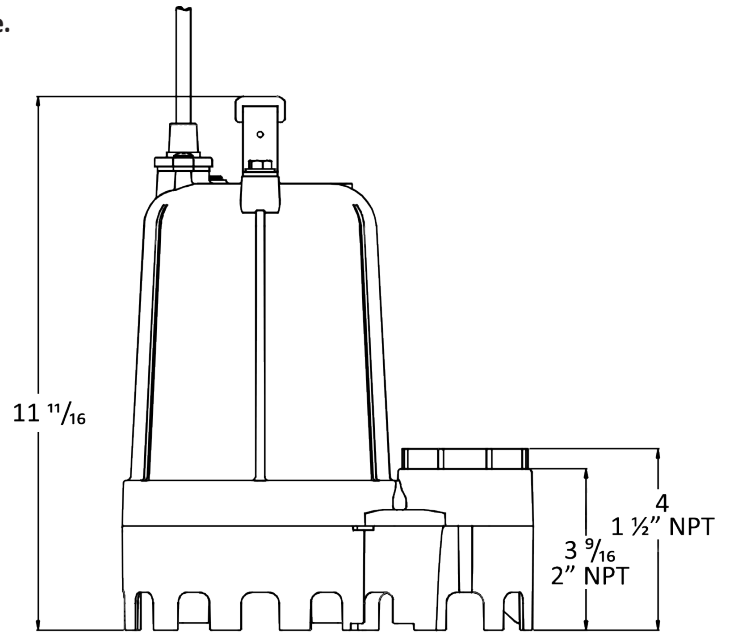
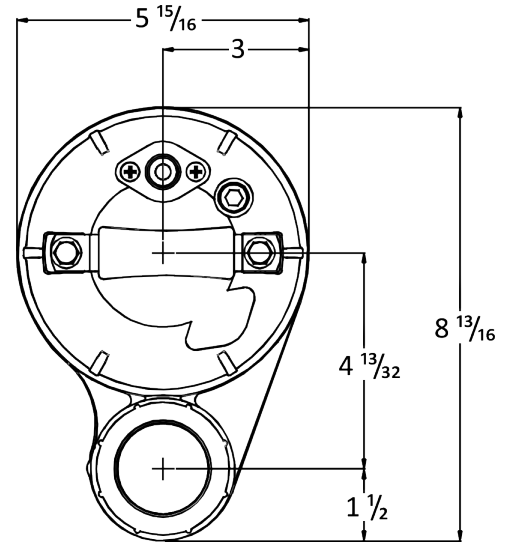
1/2 HP submersible pumps that handle up to 3/4" solids with 2" discharge with 1 1/2" adapter

### PERFORMANCE CURVE



# TECHNICAL DATA

DISCHARGE	2" NPT. with 1-1/2" adapter included
SOLIDS HANDLING	3/4"
LIQUID TEMPERATURE	140 Degrees F. (Intermittent)
MOTOR HOUSING	Cast Iron
VOLUTE	Engineered glass filled thermoplastic
SEAL PLATE	Cast Iron
IMPELLER	Engineered glass filled thermoplastic/ Vortex
SHAFT	Stainless Steel
SHAFT SEAL (SINGLE SEAL)	Mechanical with secondary dynamic lip seal, carbon rotating face, ceramic stationary face, Buna-N elastomer, 300 series stainless steel hardware
BEARINGS (UPPER & LOWER)	Single row, ball, oil lubricated
HARDWARE	300 Series stainless steel
O-RINGS	Buna-N
CORD	10' Length standard. Up to 100' available. (UL/CUL) Listed 16 AWG, Type SJTW
MOTOR (SINGLE PHASE)	1/2 HP 3450 RPM, 60 Hz, NEMA L Includes overload protection in the motor, oil filled, class B permanent split capacitor
WEIGHT	25 lbs. (Manual)



## MODEL(S) INFORMATION

MODEL	HP	VOLTS	PHASE	AMPS	CORD LENGTH	SWITCH
CPES5-11	1/2	115	1	8.9	10'	Manual
CPES5-12	1/2	115	1	8.9	20'	Manual
CPES5-13	1/2	115	1	8.9	30'	Manual
CPES5-15	1/2	115	1	8.9	50'	Manual
CPES5A-11	1/2	115	1	8.9	10'	Wide-Angle Float
CPES5A-12	1/2	115	1	8.9	20'	Wide-Angle Float
CPES5A-13	1/2	115	1	8.9	30'	Wide-Angle Float
CPES5V-11	1/2	115	1	8.9	10'	Vertical Float
CPES5V-12	1/2	115	1	8.9	20'	Vertical Float
CPES5V-13	1/2	115	1	8.9	30'	Vertical Float